



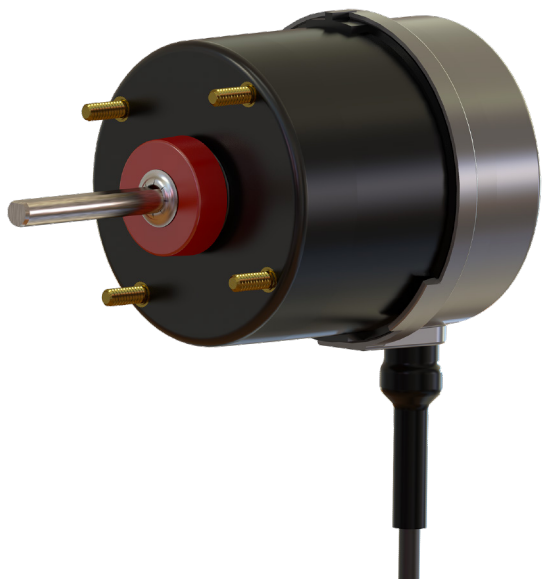
TECHNICAL DATA SHEET

Q-Sync®: The Most Efficient Commercial Refrigeration Motor in History

The Next Big Leap in Efficiency is Here

The next generation of motors has arrived.

Designed to be the highest efficiency motor ever created, Q-Sync® motor technology is the first giant leap forward in motor design in more than 50 years. Its unique design uses up to 50% less energy than EC motors, and up to 80% less than shaded-pole, while providing consistent power output and airflow in any application. By using grid supplied AC current without the need to rectify to DC, Q-Sync® offers consistent operation with higher power factors than alternative offerings. The Q-Sync® motor is designed for superior reliability and service life with universal mounts that easily adapt to most applications (and when combined with our complete fan assembly make installation 4X faster!).



Q-Sync® 38-50W 60Hz/230V

PRODUCT SPECIFICATIONS

Q-Sync® Synchronous Motor

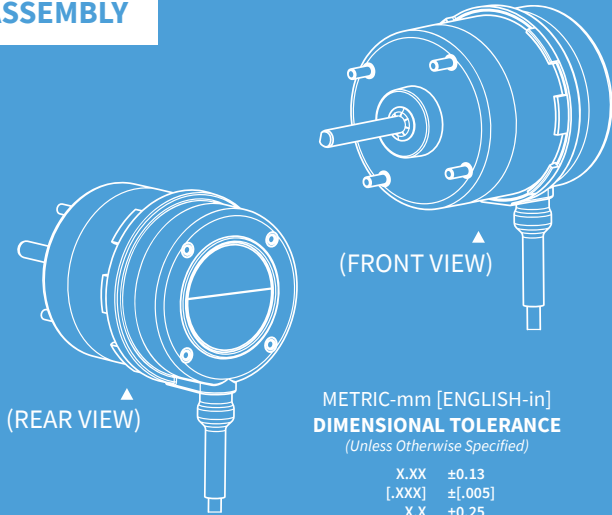
Model	QSM50-2A-CC
Customer model	30077-00
Volts	230 V
Voltage Range	207-253 V
Running Current (Amps)	0.282 A
Locked Rotor Current (Amps)	3.12 A
Horse Power	1/15 HP
Watts	50 W
RPM	1800
Frequency	60 Hz
Rotation (opposite end of shaft)	CCW
Phase	1
Temp	-40°C - 55°C (-40°F - 122°F)
Protection	Thermally Protected
CSA / UL File Number	E465664
Class	Class A (105 C)
Motor Type	Continuous Air Over
Plug	2 Pin Lyall M-2-24
Cable Length	16 Inches long
Cable Rating	300 V, 105 C 18/2 CSA
Cable Rating	300 V, 105 C 18/2 UL
Shaft Diameter	8 mm / .3125 in
Mounting Pattern	4 Hole Front Mount
Mounting Pattern	4 Hole Rear Mount
Mounting Stud Size	10-32 in
Moisture Protection	IP65
Fan Blade Pitch	12 inches, 18 degrees
Fan Blade Pitch	10 inches, 22 degrees
Speeds	Single
Design Life	10 years
Warranty	2 years
Maximum Operating Altitude	3048 m / 10,000 ft
Weight Motor Only	3 lbs / 1.36 kg
Weight Motor Only, Boxed	3.5 lbs / 1.58 kg
Box Dimension Motor Only	LxWxH 7.25 in x 7.5 in x 6.5 in
Efficiency @50W (rated power)	81%
Power Factor	0.97
Amps	0.282 A
Volts	230 V

IP65
CERTIFIED

UL®
US

CE

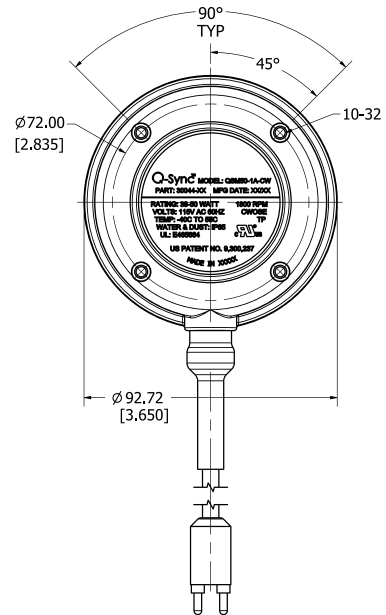
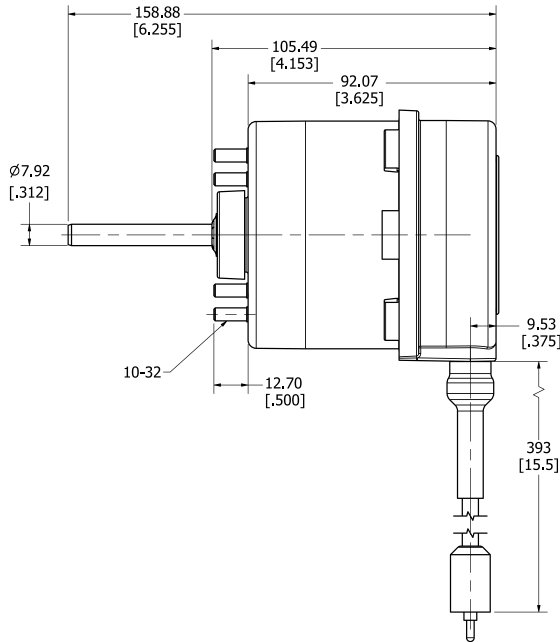
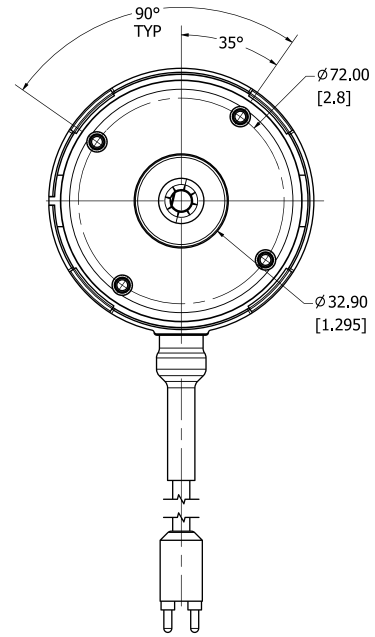
ASSEMBLY



METRIC-mm [ENGLISH-in]
DIMENSIONAL TOLERANCE
(Unless Otherwise Specified)

X.XX	±0.13
[.XXX]	±[.005]
X.X	±0.25
[.XX]	±[.010]
X	±0.5
[.X or FRACTIONAL]	±[.020]

Do Not Scale Print



NOTICE OF CONFIDENTIAL INFORMATION

Information contained herein is Confidential. Where furnished with a proposal, the recipient shall use it solely for the purposes of inspection, installation, or maintenance. Where furnished to a supplier, it shall be used solely in the performance of the contract. The information shall not be used or disclosed by the recipient for any other purpose.

QM Power, Inc.
 9680 Marion Ridge
 Kansas City, MO 64137
P +1 (816) 246-4200
www.qmpower.com